

Clock Distribution System 006-006 1600 MHz Dual RX Reference Manual



797 North Grove Rd, Suite 101
Richardson, TX 75081
Phone: (972) 671-9570
www.redrapids.com

Red Rapids reserves the right to alter product specifications or discontinue any product without notice. All products are sold subject to the terms and conditions of sale supplied at the time of order acknowledgment. This product is not designed, authorized, or warranted for use in a life-support system or other critical application.

All trademark and registered trademarks are the property of their respective owners.

Copyright © 2016, Red Rapids, Inc. All rights reserved.

Table of Contents

1.0	Introduction.....	1
1.1	Contents and Structure	1
1.2	Conventions	1
1.3	Revision History	1
2.0	Description.....	2
2.1	Sample Clock Source.....	3
2.1.1	Internal Sample Clock	3
2.1.2	External Sample Clock	5
2.2	Sample Clock Distribution	6
3.0	Specifications	7
3.1	External Reference and Sample Clock Specifications	7
3.2	Internal Reference and Sample Clock Performance	7
3.3	Absolute Maximums	8
4.0	Internal Clock Phase Noise Plots.....	9
4.1.1	Internal Reference Phase Noise Response	9
4.1.2	Synthesizer Phase Noise Response	9
5.0	Key Components	11
6.0	Technical Support.....	12

List of Figures

Figure 2-1 Front End Clocking Structure.....	2
Figure 2-2 Sample Clock Structures	2
Figure 2-3 Internal Sample Clock Source	3
Figure 2-4 Internal Sample Clock Reference Options	4
Figure 2-5 External Sample Clock Source	5
Figure 2-6 Clock Distribution Block Diagram	6
Figure 2-7 Clock Switch.....	6
Figure 5-9 Phase Noise Response Plot for Internal Reference.....	9
Figure 5-10 Phase Noise Response Plot for Synthesizer	10

List of Tables

Table 3-2 Absolute Maximum Specifications	8
Table 5-1 Key Hardware Components.....	11

1.0 Introduction

1.1 Contents and Structure

This manual describes the 006-005 Front-End clock distribution system. The focus of this manual is the electrical function of the clock system and key components.


The latest product documentation and software is available for download from the Red Rapids web site (www.redrapids.com) by following the Technical Support link.

1.2 Conventions

This manual uses the following conventions:

- Hexadecimal numbers are prefixed by “0x” (e.g. 0x00058C).

	Text in this format highlights useful or important information.
---	---

	Text shown in this format is a warning. It describes a situation that could potentially damage your equipment. Please read each warning carefully.
---	--

The following are acronyms used in this manual.

- CLK** Sample Clock
- dB** Decibels
- dBFS** Decibels Relative to Full Scale
- dBm** Decibels Relative to One milliwatt
- MHz** Megahertz
- mV** millivolts
- MSPS** Mega Samples per Second
- PLL** Phase-Locked Loop
- REF** Reference Clock
- RF** Radio Frequency
- SFDR** Spur Free Dynamic Range
- SINAD** Signal-to-Noise and Distortion Ratio
- SNR** Signal-to-Noise Ratio
- TCXO** Temperature Compensated Crystal Oscillator
- Vpp** Voltage, peak-to-peak

1.3 Revision History

Version	Date	Description
R00	11/8/2013	Initial release.
R01	12/20/2016	Added LED and Status information.

2.0 Description

Red Rapids' products feature an on-board precision clocking system that provides a coherent timing source for its analog front ends. As shown in Figure 2-1 the front end clock structure consists of a sample clock source and switch.

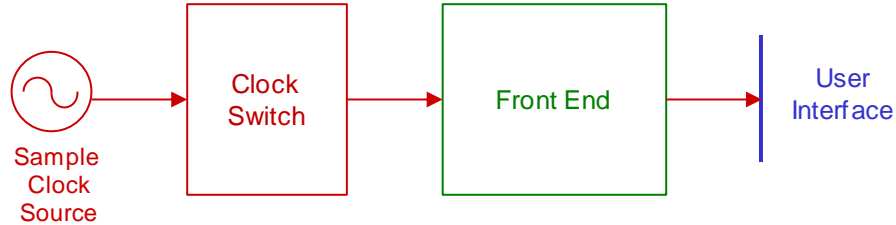


Figure 2-1 Front End Clocking Structure

The clock distribution system has three configurations implemented via connectivity as shown in Figure 2-2.

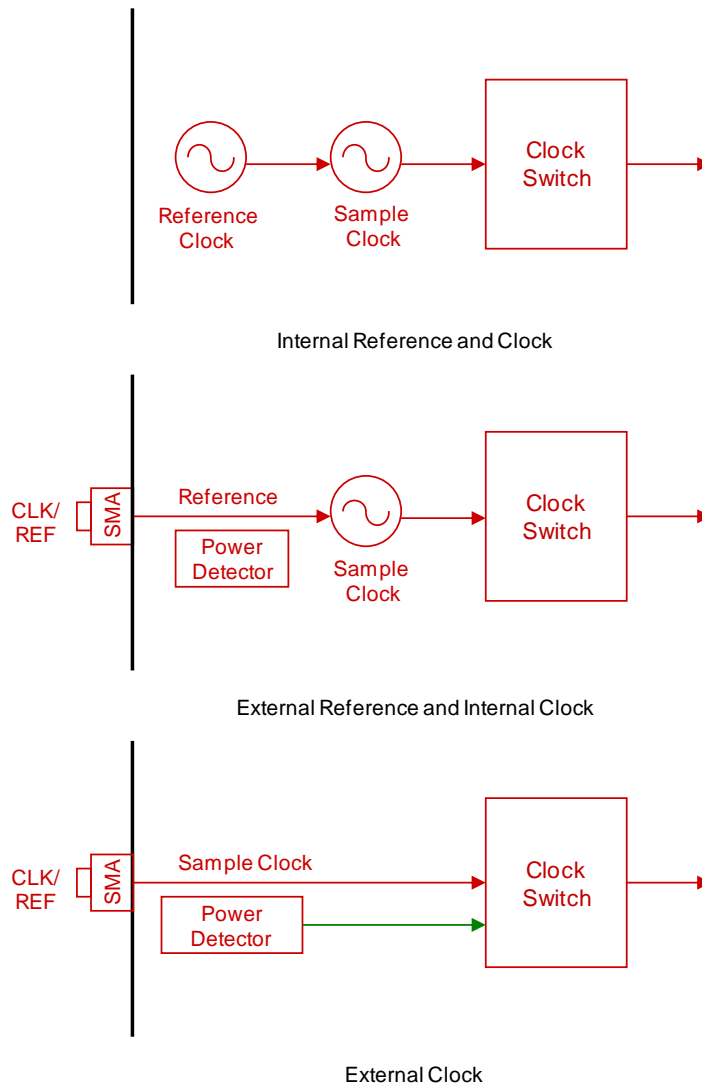


Figure 2-2 Sample Clock Structures

The three configurations are: internal reference and clock, external reference/internal clock and external clock. The external connections are made via a standard SMA-type coaxial connector and the clock switch is controlled by the external clock power detector. The external interfaces are monitored through power detectors to provide status to the user interface. The following paragraphs detail the front-end clock distribution system.

2.1 Sample Clock Source

The front-end clock distribution system has two clock source options, a built-in internal phase-locked-loop synthesizer and an external user supplied sample clock as described in the following sections.

2.1.1 Internal Sample Clock

The internal sample clock consists of a low-noise oscillator in a phase-locked-loop (PLL) structure as shown in the diagram of Figure 2-3. The PLL is tied to a low frequency precision reference clock to provide long term stability. The PLL output is a low jitter high frequency sinewave used as the source for the front-end sample clock.

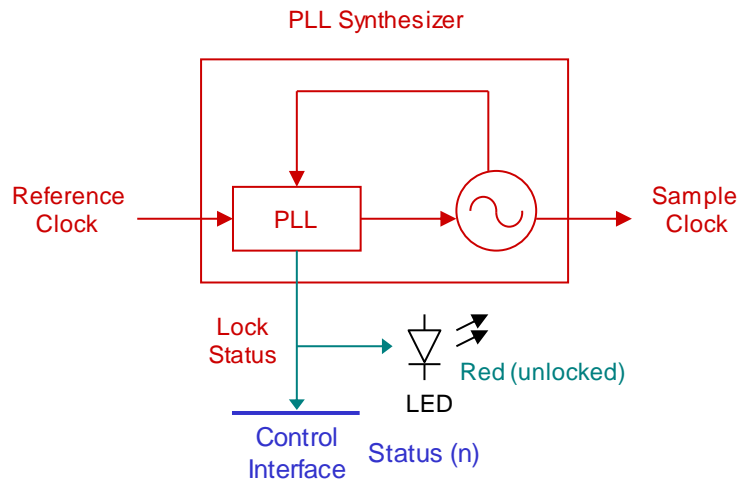



Figure 2-3 Internal Sample Clock Source

Synthesizer lock status is continually monitored and available to the user through the control interface. Additionally a red on-board LED will light should the synthesizer become unlocked. The synthesizer lock status passed to the Control Interface is not valid when an external sample clock is active as described in paragraph 2.1.1.2.

 Ignore the Control Interface Synthesizer lock status when an external sample clock is active.

There are two source options for the PLL reference clock, either the on-board TCXO or a user-provided reference supplied to the REF/CLK coaxial connector as shown in Figure 2-4. The following paragraphs describe the reference clock options.

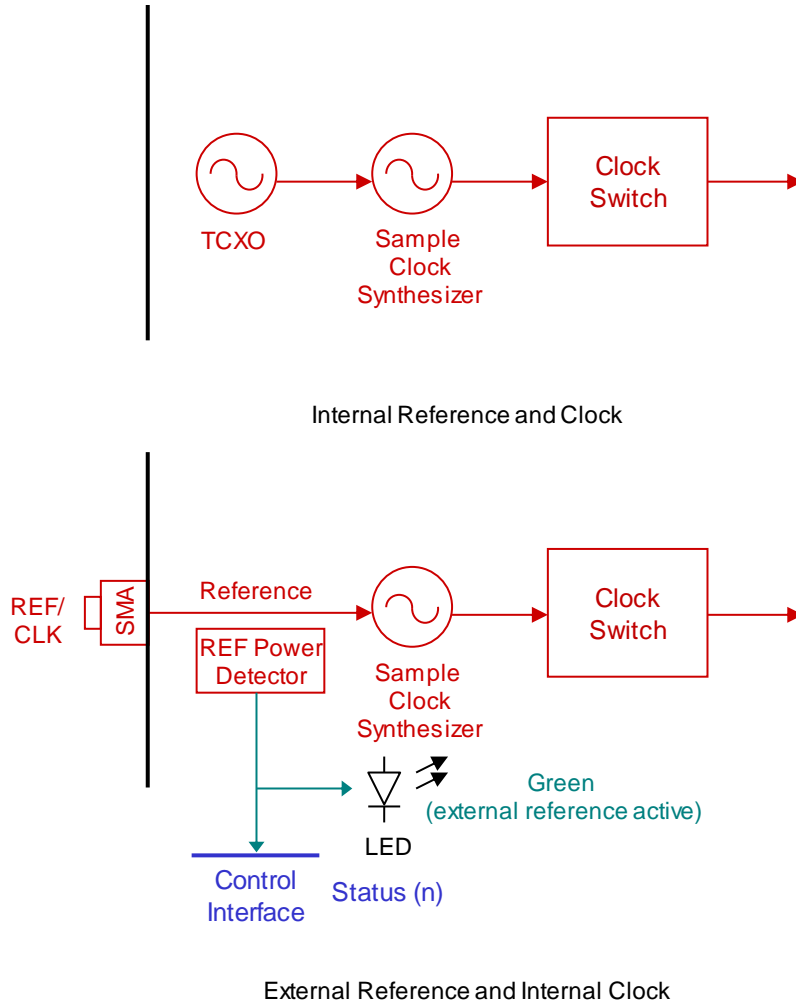


Figure 2-4 Internal Sample Clock Reference Options

2.1.1.1 On-board Reference Clock


The front-end clock distribution system features a built-in TCXO to round out a self-contained clocking solution. The TCXO provides excellent long term stability for applications that do not require coherence to a system reference clock. Information on the built-in TCXO specifications can be found in the manufacturer’s data sheet listed in section 0, performance data is shown in section 3.2 and a phase noise plot is shown in section 4.1.1.


2.1.1.2 External Reference Clock


An external reference clock connection is provided for users that require coherency to a system reference. The on-board frequency synthesizer can be phase locked to an external 10 MHz system reference to achieve system-wide phase coherence by simply connecting a source to the reference/clock SMA. The AC power level on the reference input is continuously monitored to automatically detect the presence of an external source. If the power level exceeds an established operating threshold then the internal TCXO power is automatically turned off, the external reference is connected to the internal synthesizer and the external reference present status is passed to the control interface. An on-board

green LED will illuminate when the external reference is active. Hysteresis is built into the detection circuit to prevent oscillation around the detection threshold.

Only a high quality low phase noise (< -145 dBc/Hz @ 10 kHz) source should be used as an external reference. External reference source harmonic content above 50 MHz exceeding a level of -10 dBm will cause the external clock detector to trip and supply the wrong sample clock. Clock input level requirements can be found in section 3.1.

 Generally the synthesized output of an RF signal generator should not be used as a 10 MHz reference source due to high phase noise. Most generators feature a separate dedicated low phase noise 10 MHz reference output that should be used instead.

 Only a high quality low phase noise (< -145 dBc/Hz @ 10 kHz) source should be used as an external reference.

 The spectral power level of the external reference source above 50 MHz must be less than -10 dBm.

2.1.2 External Sample Clock

The external sample clock mode connects the clock switch directly to the REF/CLK coaxial connector as shown in Figure 2-5. A detector continuously monitors the signal power on the REF/CLK port to determine the presence of an external clock. Once a signal is detected the on-board synthesizer is turned off, the clock switch is set to pass the external clock and an external clock present status is indicated to the user interface and a yellow on-board LED illuminates indicating the presence of an external clock source.

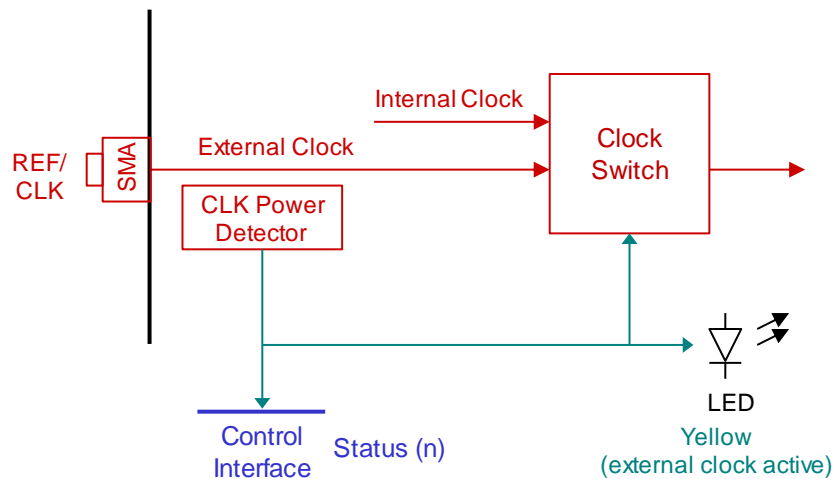





Figure 2-5 External Sample Clock Source

 The on-board synthesizer does not operate when an external sample clock is present.

An external sample clock signal is usually supplied by a high quality source that can provide good frequency stability ($< \pm 2$ ppm) and low phase noise (< 90 dBc/Hz @ 10 kHz, < 1 ps rms jitter). Quality RF Test equipment may be used as a sample clock source as long as it meets the sample clock frequency and power requirements listed in section 3.1.

 The SNR of high frequency signals ($F_{in} > 100$ MHz) can be improved by using an external sample clock with better phase noise than that of the internal synthesizer.

The user supplied external clock waveform may be sinusoidal or square as long as the phase noise/jitter characteristic is low. Sine wave inputs should operate at the high end of the permissible input power range to maximize the voltage slope into the ADC clock circuitry. Square wave inputs may be driven at a lower power level since they already have a steep voltage slope.

 The user supplied external sample clock may be sinusoidal or square in nature so long as it possesses a low phase noise/jitter characteristic.

2.2 Sample Clock Distribution

The analog front end relies on a coherent low noise distribution network to provide a sample clock to analog components and user interface as shown in Figure 2-6.

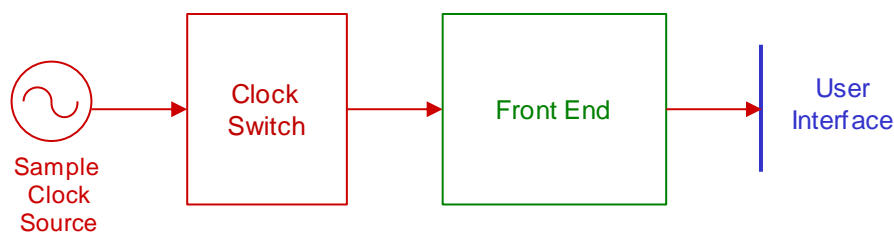


Figure 2-6 Clock Distribution Block Diagram

Clock distribution is performed using a single clock switch as shown in the diagram of Figure 2-7. The clock power detector automatically selects the external clock as a source when a clock is detected on the REF/CLK coaxial input. The front-end ADC provides a derivative of the sample clock in the form of a data clock to the user interface

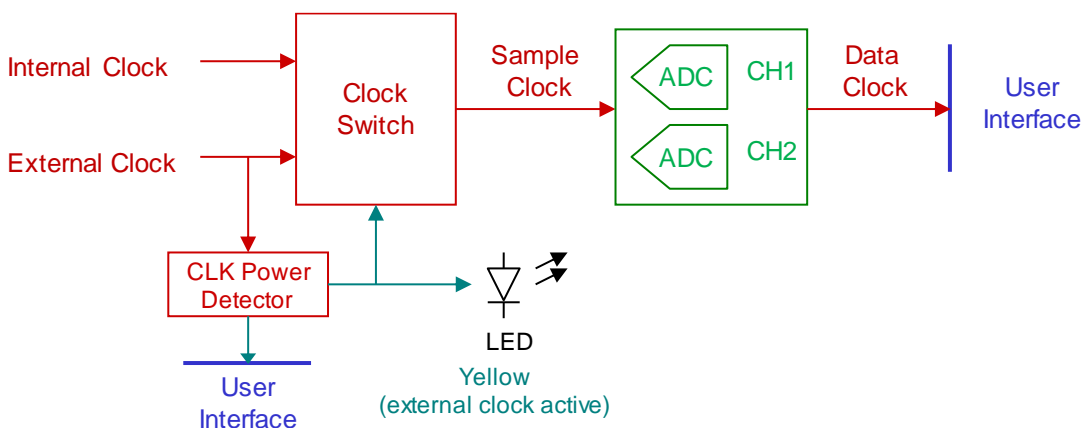


Figure 2-7 Clock Switch

3.0 Specifications


The following section lists the performance specifications of the Front End Clock Distribution System based on direct unit measurement unless otherwise noted. Measurements are listed as typical and represent the mean performance of a representative sample of units under laboratory conditions. Some variation in performance will occur based on build variation, external system performance and environment. See key component device data sheets in section 0 for more insight on performance variation.

3.1 External Reference and Sample Clock Specifications

Parameter	Min	Typ	Max	Unit
External Reference (REF)				
Input Impedance		50		Ohms
Input Voltage (50 Ohms)	1.5		3.5	Vpp
Input Power (50 Ohms)	+7		+14.8	dBm
Frequency	10		10	MHz
External Clock Input (CLK)				
Input Impedance		50		Ohms
Input Voltage (50 Ohms)	1	2.0	2.8	Vpp
Input Power ⁽¹⁾ (50 Ohms)	+4	+10	+13	dBm
Frequency	150		1600	MHz

Notes: ⁽¹⁾ See external clock discussion on square vs. sine input.

3.2 Internal Reference and Sample Clock Performance

 Performance may vary depending on the quality of the power supply and EMI environment of the host.


Parameter	Min	Typ	Max	Unit
Internal Sample Clock				
Frequency (default)		1600		MHz
Reference Spurs			75	dBc
Phase Noise				
1 kHz offset		-90		dBc/Hz
10 kHz offset		-100		dBc/Hz
100 kHz offset		-120		dBc/Hz
Internal Reference				
Frequency (default)		10		MHz
Stability	-1.0		+1.0	ppm
Phase Noise				
1 kHz offset		-125		dBc/Hz
10 kHz offset		-145		dBc/Hz
100 kHz offset		-148		dBc/Hz

3.3 Absolute Maximums

Stresses above those listed in Table 3-1 may cause damage to the unit. The operation of the unit at these or any other conditions outside of those indicated in the operating sections of this specification is not implied. Exposure to absolute maximum conditions for extended periods may degrade unit reliability.

Table 3-1 Absolute Maximum Specifications

Parameter	Min	Typ	Max	Unit
Reference Clock Input (50 Ohms)				
DC Level	-10		10	V
AC Swing			4.5	Vpp
AC Power			+17.5	dBm
Sample Clock Input (50 Ohms)				
DC Level	-10		10	V
AC Swing			4	Vpp
AC Power			+16	dBm

	Exposure to absolute maximum conditions for extended periods may degrade unit reliability.
---	--

4.0 Internal Clock Phase Noise Plots

The Front-End Clock Distribution System contains two internal clock sources, a fixed reference clock and a PLL synthesizer. The following sections provide plots of the typical phase noise response for the reference and synthesizer clock sources.

4.1.1 Internal Reference Phase Noise Response

Figure 4-1 shows the typical phase noise response for the internal reference. Note that the plot in Figure 4-1 is for a 12.8 MHz reference, the reference used in the Front-End Clock Distribution system is 10 MHz. The relative phase noise performance is the same.

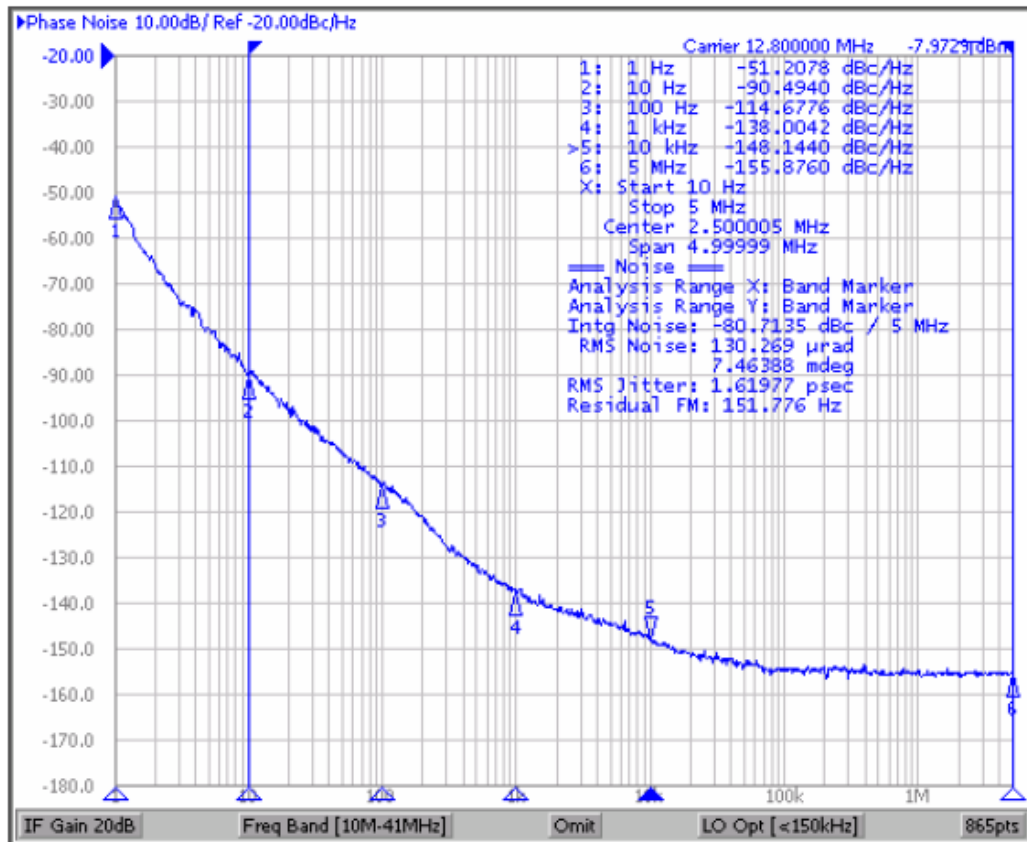


Figure 4-1 Phase Noise Response Plot for Internal Reference

4.1.2 Synthesizer Phase Noise Response

Figure 4-2 shows the typical phase noise response for the PLL synthesizer. Note that the plot in Figure 4-1 is for a 213.33 MHz synthesizer, the standard synthesizer for this system is 1600 MHz. The relative phase noise performance is the same.

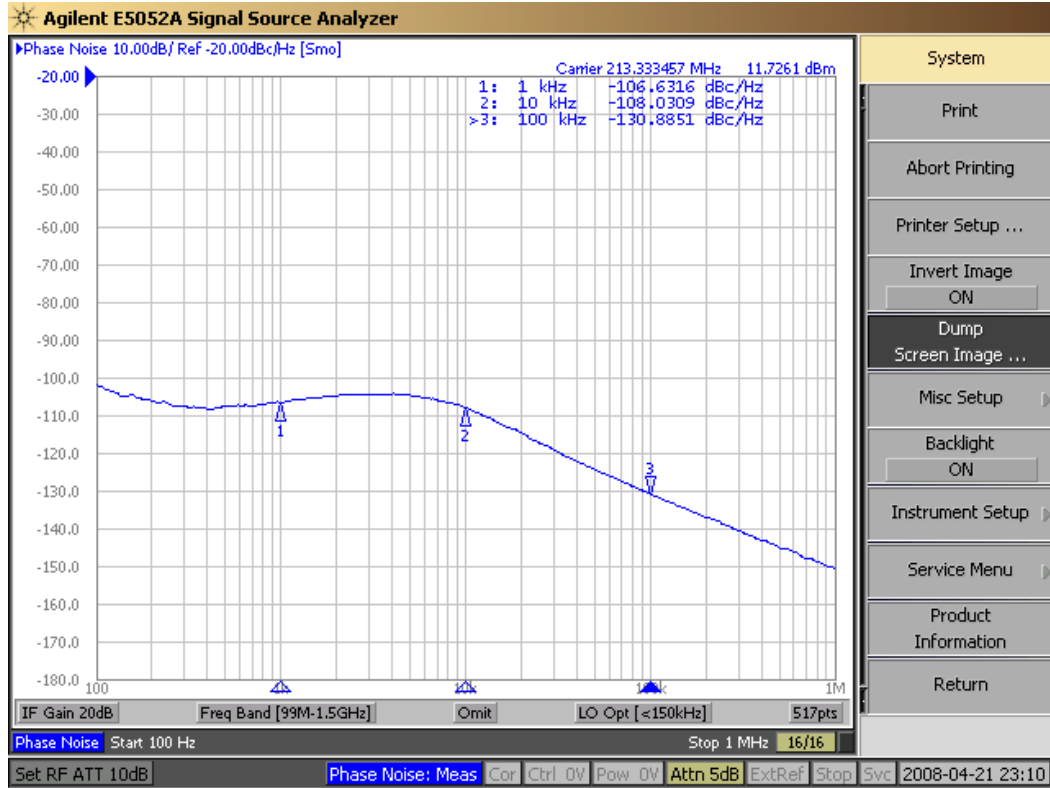


Figure 4-2 Phase Noise Response Plot for Synthesizer

5.0 Key Components

Key hardware components for the Receiver are listed in Table 5-1. Device datasheets can be downloaded from vendor websites for more information.

Table 5-1 Key Hardware Components

Component	Part Number	Vendor	Comments
TCXO	VTC4-A01D-10M000	Vectron	10MHz TCXO 1.0ppm, -30 to +80 C

6.0 Technical Support

Please feel free to contact us if you have a technical question about or problem with our product. We understand that our customers have tight deadlines and time is of the essence in development and production cycles. We will make every effort to resolve problems as quickly as possible.

Web: www.redrapids.com

Email: support@redrapids.com

Phone: 972-671-9570

Fax: 972-671-9572

Please include the following information with your correspondence:

Contact Information

Product Model

Host Card or System (PC, PCI Carrier, Single Board Computer)

Operating System

Problem Description